

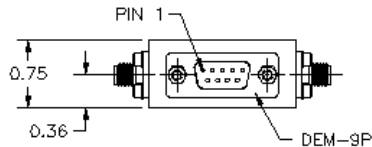
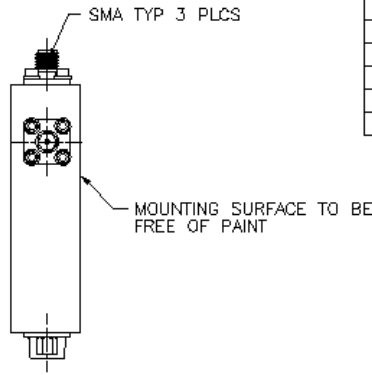
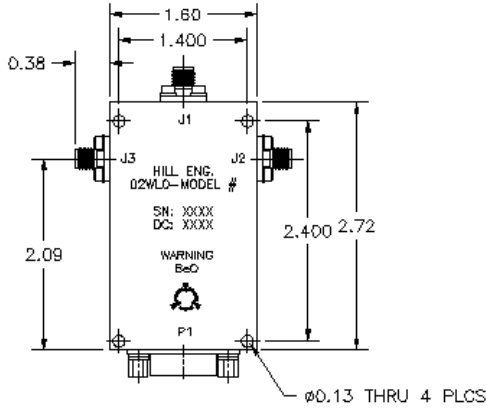
	Cage Code:	Title:	Date:	Rev:	Model no:
	02WLO	<b>PRODUCT DATA (subject to change)</b>	7/29/2009	None	<b>H22-027</b>

**This document describes the performance of a high power 1P2T switch. This is a cold switched design i.e.; switched while RF is off. Proper bias levels must be applied when operating this device.**

ITEM NO	CHARACTERISTIC	CONDITIONS	MIN	MAX	UNITS	COMMENTS
1	POWER SPECIFICATION	IN BAND				
1.1	FREQUENCY		0.8	2.2	GHz	
1.2	PEAK POWER			2000	WATTS	
1.3	PULSE WIDTH			0.5	μS	
1.4	DUTY			4	%	
1.5	CW POWER			80	WATTS	
2	POWER SPECIFICATIONS	GUARD BAND				
2.1	FREQUENCY		2.2	2.5	GHz	
2.2	PEAK POWER			20	WATTS	
2.3	PULSE WIDTH			0.5	μS	
2.4	DUTY			5	%	
2.5	CW POWER			1	WATTS	
3	POWER SPECIFICATIONS	OUT OF BAND				
3.1	FREQUENCY		>2.5		GHz	
3.2	PEAK POWER			0.03	WATTS	
3.3	PULSE WIDTH		CW		μS	
3.4	DUTY		CW		%	
3.5	CW POWER			0.03	WATTS	
4	OPERATING FREQUENCY		1.0	2.0	GHz	
5	INSERTION LOSS					
5.1				0.6	dB	
6	ISOLATION					
6.1	INPUT TO OUTPUT			40	dB	
6.2	OUTPUT TO OUTPUT			40	dB	
7	PHASE					
7.1	MATCHING/TRACKING					NOT SPECIFIED

	Cage Code:	Title:	Date:	Rev:	Model no:
	02WLO	<b>PRODUCT DATA</b> (subject to change)	7/29/2009	None	<b>H22-027</b>

ITEM NO	CHARACTERISTIC	CONDITIONS	MIN	MAX	UNITS	COMMENTS
8	VSWR					
8.1	PORTS NOT SELECTED					INFINITE
8	VSWR (CONT.)					
8.2	INPUT & OUTPUT, SELECTED PORTS		1.4:1			
8.3	TERMINATION		2.5:1			
8.4	SOURCE		1.2:1			
9	HARMONICS & SPURS					
9.1	INTERNALLY GENERATED					NOT SPECIFIED
9.2	MEASURED AT INCIDENT POWER			0	WATTS	
10	SWITCHING					
10.1	SPEED	50% TTL TO 0.5dB		1.5	μS	
10.2	SWITCHING RATE			200	KHz	
10.3	COMMAND LOGIC	RS-422				
10.4	VIDEO LEAKAGE					NOT SPECIFIED
10.5	LOGIC TABLE					SEE DWG 2308
11	D.C. POWER					
11.1	POSITIVE BIAS VOLTAGE		4.8	5.2	VDC	
11.2	NEGATIVE BIAS VOLTAGE		-66	-74	VDC	
11.4	POSITIVE BIAS CURRENT			300	mA	
11.5	NEGATIVE BIAS CURRENT			5	mA	
	NOTE: NO OVER-VOLTAGE OR REVERSE POLARITY PROTECTION IS PROVIDED WITH THIS SWITCH.					
12	CONNECTORS					
12.1	RF					SMAF
12.3	DC					DEMM-9P
13	MECHANICAL					
13.1	WEIGHT			8	Oz.	
13.2	OUTLINE					SEE DWG 2308
14	ENVIRONMENTAL					
14.1	OPERATING TEMPERATURE		-20	+60	°C	
14.2	STORAGE TEMPERATURE		-55	+85	°C	
14.3	VIBRATION LEVEL					SHELTERED GROUND MOBILE



REVISIONS			
REV	DESCRIPTION	DATE	APPROVED
-	INITIAL RELEASE ECN #163	12/9/96	J HILL
A	REVISED PER ECN #416	1/2/98	J HILL
B	REVISED PER ECN #600 (dgb)	6/1/98	SPL
C	REVISED PER ECN #823-1 (dgb)	11/9/98	SPL
D	REVISED PER ECN #997 (HRB)	8/24/99	SPL
E	REVISED PER ECN #2326 (hnb)	5/3/02	SPL

P1 CONNECTIONS	
PIN	SIGNAL
1	+5V
2	-V
3	GND
4	LOGIC + (PS-422)
5	LOGIC - (PS-422)
6	GND
7	J2 SENSE (TTL)
8	J3 SENSE (TTL)
9	GND

- NOTES:
- FINISH:
    - PAINT PER HILL ENG. MEI-105.
    - PRIMER: YELLOW ZINC OXIDE, HEI P/N: 172-0001.
    - PAINT: FLAT BLACK ZINC EPOXY ENAMEL, P/N: 172-0002.
  - MARKING:
    - MARK PER MEI-147.
    - MARKING: 0.09" HIGH BLACK CHARACTERS.
    - LABEL: METALIZED POLYESTER SHEET, P/N: 127-0010.

OUTPUT	LOGIC+	LOGIC-	J2 SENSE	J3 SENSE
J1-J2	0	1	1	0
J1-J3	1	0	0	1



UNLESS OTHERWISE SPECIFIED DIMENSIONS ARE IN INCHES TOLERANCES ARE:		APPROVALS DRAWN BY: <b>DC BARKER</b> DATE: 12/9/96			
FINISH: 20/45 SURFACE: 20/45 REMOVE ALL KEPS FROM PARTS	CHECKED BY: <b>SP LEROUX</b> DATE: 12/11/98 WORKING DRAWING OF: <b>J HILL</b> DATE: 12/11/96	CUSTOMER APPROVALS		DRAWING TITLE: <b>OUTLINE, SPDT BALANCED SENSE, SMA</b>	
NEXT ASSY:	USED ON:	BOM CODE: <b>02WLO</b>	DRAWING NO: <b>2308</b>	REV: <b>E</b>	SCALE: 1/1 FILENAME: 2308g SHEET 1 of 1
APPLICATIONS:		DO NOT SCALE DRAWING			